

## Instructions For Model GS-GC For Golf Course, Yard & Patio Use

### WARNING

**When the GullswEEP is not in use the steel mounting rod should be removed as it has pointed ends and someone could be hurt.**

GullswEeps have been used on boats at anchor for over 40 years and have been most successful in preventing birds from resting on the boats and creating a mess. There are many other uses for GullswEEP to achieve the same purpose.

GullswEeps have been effectively used on golf courses to keep the birds out of the line of play. The birds normally do not leave a course, as they like the grass and the watering holes. However with careful study of the situation, the birds can be herded along day after day by moving the GullswEeps 10 to 20 feet in one direction, or at some point, left in place. Depending upon the situation, many GullswEeps can be employed in an area to achieve your objective. GullswEeps are environmentally sound as no birds are hurt, just intimidated so they move to a less active location.

GullswEeps are also ideal for gardens and patios, or yards where birds like to collect. For garden, patio and yard use (depending on

the area), one or two may suffice. Place anywhere from 10' to 20' apart and move daily to accomplish what you want.

All parts required are in your pack, however, you will have to assemble the (2) vanes on to the folded aluminum rod (See figures 6 & 7). The rods should be folded out on the center hub so you can determine which side is up. As per Figure 6, the vanes should be mounted on top of the rod - pushing the screw through the rod and tightening the plastic lock nut securely on the bottom. You do not want the vane to be loose on the rod. The vanes should be mounted on the opposite side of the rod (See Figure 6). This will assure the motion of your GullswEEP will be clockwise in the wind. A 3' stainless steel rod is the center mounting point and should be stuck into the ground about 1' and be vertical. Each rod comes with point protectors which should be removed when the rod is put in service.

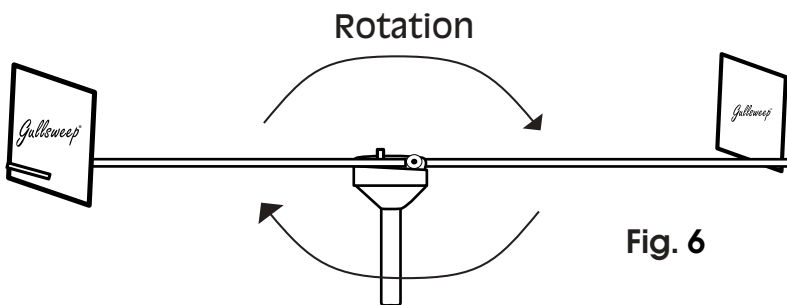


Fig. 6

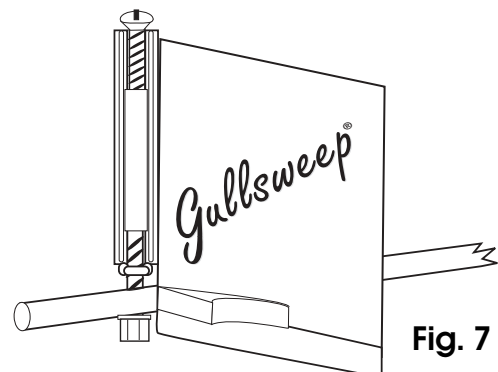


Fig. 7